

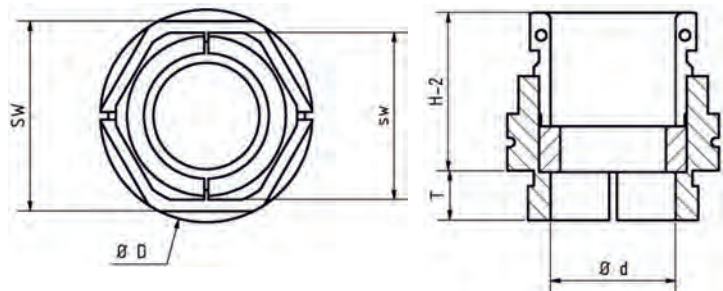


SPLIT-SCREWED CABLE GLAND KS-PG SYNTHETIC

contech3



Screw thread type	PG-screw thread
Protecting rating	IP 64 (according to DIN EN 60529)
Screw connection type	PG 11 - PG 16
Material	Screw connection Polyamide PA6 Sealing: NBR 70 Claw: POM
Operating temperature	-30°C bis +100°C
Colour:	RAL7035, lightgrey



Type	Art.-No.	VE	SW (mm)	sw (mm)	cabl e Ø (mm)	H-2 (mm)	T (mm)
SPLIT KS-PG11	PG11040	10/25/50/100/300	24	20	8-10	-	8,00
SPLIT KS-PG13,5	PG13540	10/25/50/100/300	26	23	10-12	-	9,00
SPLIT KS-PG16	PG16040	10/25/50/100/300	28	25	12-14	-	9,00

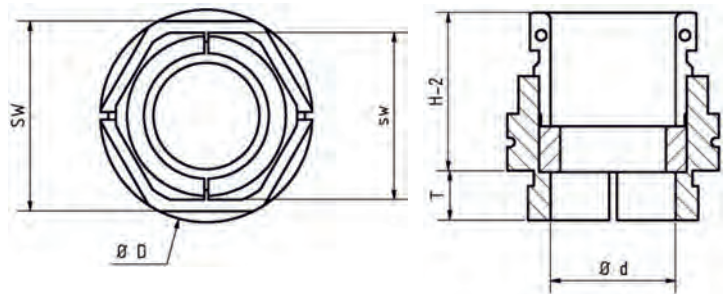
Scope of delivery: Cable Gland with Sealing (Cable diameter see chart)

SPLIT-SCREWED CABLE GLAND MS-M

contech3



Screw thread type	metric thread
Protecting rating	IP 65 (according to DIN EN 60529)
Screw connection type	M 16 - M 50 thread lead: 1,5
Material	Screw connection brass, nickel plated Sealing: NBR 70
Operating temperature	-25°C bis +80°C (shortly up to 100°C)



Type	Art.-No.	VE	SW (mm)	sw (mm)	max.cable ø (mm)	H-2 (mm)	T (mm)
SPLIT MS-M16	M1601	10/25/50/100/300	20	16	8	21,00	6,50
SPLIT MS-M20	M2001	10/25/50/100/300	24	20	13	21,00	6,50
SPLIT MS-M25	M2501	10/25/50/100/300	27	23	16	23,00	6,50
SPLIT MS-M32	M3201	10/25/50/100/300	34	30	23	23,00	7,00
SPLIT MS-M40	M4001	10/25/50/100/300	45	40	28	26,00	7,00
SPLIT MS-M50	M5001	10/25/50/100/300	55	50	39	30,00	7,00

Cable Gland with longer thread on request ! Minimum purchase 100 pieces.

Scope of delivery: Cable Gland with Sealing (Cable diameter see chart)

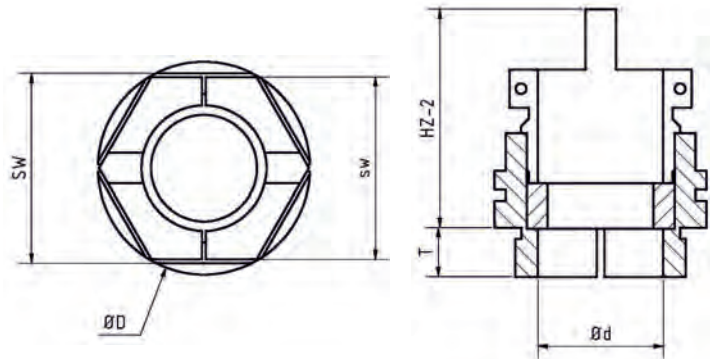
Sealings with smaller cable diameters as in the chart above are to order additionally (see page 4 !)

SPLIT-SCREWED CABLE GLAND MSZ-M / with Strain-Relief

contech3



Screw thread type metric thread
 Protecting rating IP 65 (according to DIN EN 60529)
 Screw connection type M 16 - M 50
 thread lead: 1,5
 Material Screw connection brass, nickel plated
 Sealing: NBR 70
 Operating temperature -25°C bis +80°C (shortly up to 100°C)



Type	Art.-No.	VE	SW (mm)	sw (mm)	max.cable ø (mm)	H-2 (mm)	T (mm)
SPLIT MSZ-M16	M1603	10/25/50/100/300	22	16	9	24,50	6,50
SPLIT MSZ-M20	M2003	10/25/50/100/300	24	20	12	28,50	6,50
SPLIT MSZ-M25	M2503	10/25/50/100/300	27	25	16	30,50	6,50
SPLIT MSZ-M32	M3203	10/25/50/100/300	34	31	23	33,00	7,00

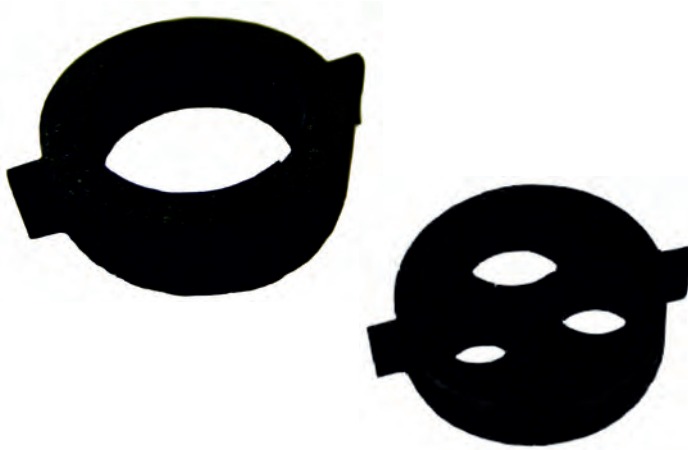
Cable Gland with longer thread on request ! Minimum purchase 100 pieces.

Scope of delivery: Cable Gland with Sealing (Cable diameter see chart)

Sealings with smaller cable diameters as in the chart above are to order additionally (see page 4 !)

SPLIT- SEALING

contech3



Sealing NBR70
 Qualities Component Part for use with Split-Cable Gland
 Sizes M 16 - M 50
 Operating temperature -25°C to +80°C (shortly up to 100°C)

Type	Art.-No.	cable-Ø	VE
SPLIT NBR-M16	M16003	9	25 Stück
SPLIT NBR-M16	M16004	8	25 Stück
SPLIT NBR-M16	M16005	7	25 Stück
SPLIT NBR-M16	M16006	6	25 Stück
SPLIT NBR-M16	M16007	5	25 Stück
SPLIT NBR-M20	M20003	12	25 Stück
SPLIT NBR-M20	M20004	11	25 Stück
SPLIT NBR-M20	M20005	10	25 Stück
SPLIT NBR-M20	M20006	9	25 Stück
SPLIT NBR-M20	M20007	8	25 Stück
SPLIT NBR-M25	M25003	16	25 Stück
SPLIT NBR-M25	M25004	15	25 Stück
SPLIT NBR-M25	M25005	14	25 Stück
SPLIT NBR-M25	M25006	13	25 Stück
SPLIT NBR-M25	M25007	12	25 Stück
SPLIT NBR-M32	M32003	23	25 Stück
SPLIT NBR-M32	M32004	22	25 Stück
SPLIT NBR-M32	M32005	21	25 Stück
SPLIT NBR-M32	M32006	20	25 Stück
SPLIT NBR-M32	M32007	19	25 Stück

Type	Art.-No.	cable-Ø	VE
SPLIT NBR-M40	M40003	27	25 Stück
SPLIT NBR-M40	M40004	26	25 Stück
SPLIT NBR-M40	M40005	25	25 Stück
SPLIT NBR-M40	M40006	24	25 Stück
SPLIT NBR-M40	M40007	23	25 Stück
SPLIT NBR-M50	M50003	32	25 Stück
SPLIT NBR-M50	M50004	31	25 Stück
SPLIT NBR-M50	M50005	30	25 Stück
SPLIT NBR-M50	M50006	29	25 Stück
SPLIT NBR-M50	M50007	28	25 Stück

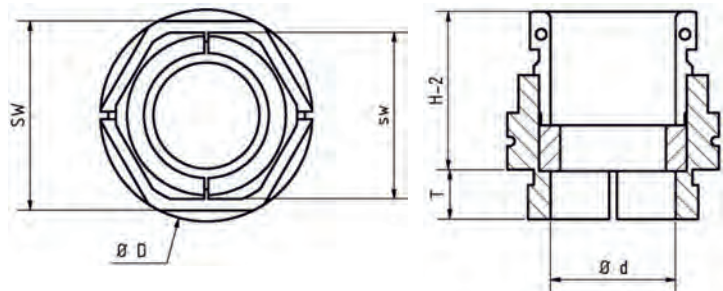
Sealings for smaller cable diameters are possible for every type of gland !

SPLIT-SCREWED CABLE GLAND MS-PG

contech3



Screw thread type	PG thread
Protecting rating	IP 65 (according to DIN EN 60529)
Screw connection type	PG 9 - PG 48 PG9 - PG16 thread lead: 1,41 PG21 - PG48 thread lead: 1,558
Material	Screw connection brass, nickel plated Sealing: NBR 70
Operating temperature	-25°C bis +80°C (shortly up to 100°C)



Type	Art.-No.	VE	SW (mm)	sw (mm)	max.cable ø (mm)	H-2 (mm)	T (mm)
SPLIT MS-PG9	PG09001	10/25/50/100/300	20	18	8	19,00	6,00
SPLIT MS-PG11	PG11001	10/25/50/100/300	22	18	10	20,00	6,00
SPLIT MS-PG13,5	PG13501	10/25/50/100/300	24	20	12	21,00	6,50
SPLIT MS-PG16	PG16001	10/25/50/100/300	25	22	14	21,00	6,50
SPLIT MS-PG21	PG21001	10/25/50/100/300	32	28	17	23,00	7,00
SPLIT MS-PG29	PG29001	10/25/50/100/300	40	34	26	26,00	8,00
SPLIT MS-PG36	PG36001	50/100/300	48	40	32	30,00	9,00
SPLIT MS-PG42	PG42001	50/100/300	55	50	37	33,00	10,00
SPLIT MS-PG48	PG48001	50/100/300	60	55	42	33,00	10,00

Cable Gland with longer thread on request ! Minimum purchase 100 pieces.

Scope of delivery: Cable Gland with Sealing (Cable diameter see chart)

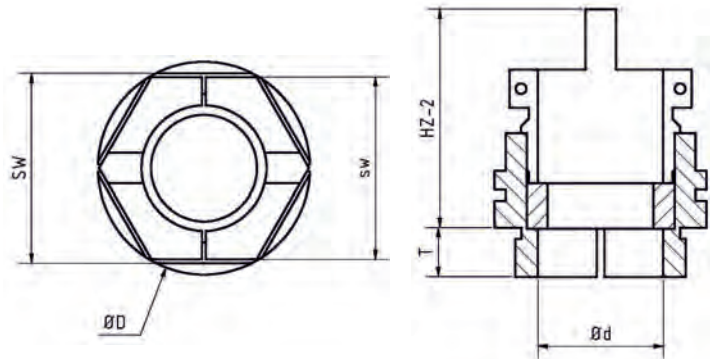
Sealings with smaller cable diameters as in the chart above are to order additionally (see page 7 !)

SPLIT-SCREWED CABLE GLAND MSZ-PG / with Strain-Relief

contech3



Screw thread type	PG thread
Protecting rating	IP 65 (according to DIN EN 60529)
Screw connection type	PG 9 - PG 29 PG9 - PG16 thread lead: 1,41 PG21 - PG29 thread lead: 1,558
Material	Screw connection brass, nickel plated Sealing: NBR 70
Operating temperature	-25°C bis +80°C (shortly up to 100°C)



Type	Art.-No.	VE	SW (mm)	sw (mm)	max.cablel ø (mm)	H-2 (mm)	T (mm)
SPLIT MS-PGZ9	PG09003	50/100/300	20	18	8	24,50	6,00
SPLIT MS-PGZ11	PG11003	50/100/300	22	18	10	25,50	6,00
SPLIT MS-PGZ13,5	PG13503	50/100/300	24	24	13	28,50	6,50
SPLIT MS-PGZ16	PG16003	50/100/300	25	25	14	28,50	6,50
SPLIT MS-PGZ21	PG21003	50/100/300	32	28	17	32,50	7,00
SPLIT MS-PGZ29	PG29003	50/100/300	40	36	25	34,50	8,00

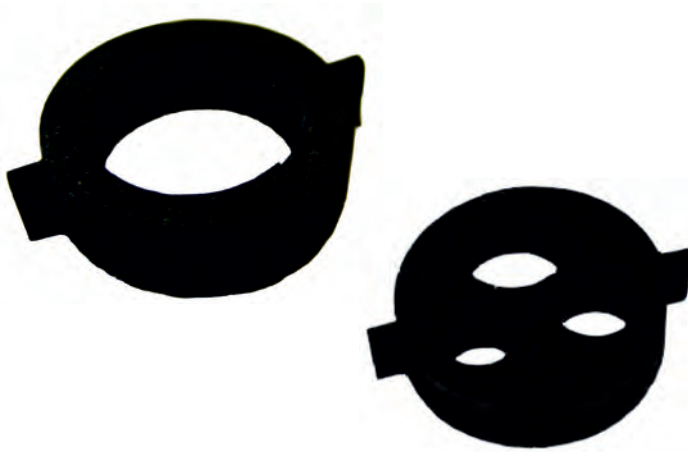
Cable Gland with longer thread on request ! Minimum purchase 100 pieces.

Scope of delivery: Cable Gland with Sealing (Cable diameter see chart)

Sealings with smaller cable diameters as in the chart above are to order additionally (see page 7 !)

SPLIT- SEALING

contech3



Sealing NBR70
 Qualities Component Part for use with Split-Cable Gland
 Sizes PG 9 - PG 48
 Operating temperature -25°C to +80°C (shortly up to 100°C)

Type	Art.-No.	cable-Ø	VE
SPLIT NBR-PG9	PG090003	8	25 Stück
SPLIT NBR-PG9	PG09004	7	25 Stück
SPLIT NBR-PG9	PG09005	6	25 Stück
SPLIT NBR-PG9	PG09006	5	25 Stück
SPLIT NBR-PG9	PG09007	4	25 Stück
SPLIT NBR-PG11	PG110003	10	25 Stück
SPLIT NBR-PG11	PG11004	9	25 Stück
SPLIT NBR-PG11	PG11005	8	25 Stück
SPLIT NBR-PG11	PG11006	7	25 Stück
SPLIT NBR-PG11	PG11007	6	25 Stück
SPLIT NBR-PG13,5	PG135003	12	25 Stück
SPLIT NBR-PG13,5	PG13504	11	25 Stück
SPLIT NBR-PG13,5	PG13505	10	25 Stück
SPLIT NBR-PG13,5	PG13506	9	25 Stück
SPLIT NBR-PG13,5	PG13507	8	25 Stück
SPLIT NBR-PG16	PG160003	14	25 Stück
SPLIT NBR-PG16	PG16004	13	25 Stück
SPLIT NBR-PG16	PG16005	12	25 Stück
SPLIT NBR-PG16	PG16006	11	25 Stück
SPLIT NBR-PG16	PG16007	10	25 Stück
SPLIT NBR-PG21	PG210003	18	25 Stück
SPLIT NBR-PG21	PG21004	17	25 Stück
SPLIT NBR-PG21	PG21005	16	25 Stück
SPLIT NBR-PG21	PG21006	15	25 Stück
SPLIT NBR-PG21	PG21007	14	25 Stück

Type	Art.-No.	cable-Ø	VE
SPLIT NBR-PG29	PG290003	25	25 Stück
SPLIT NBR-PG29	PG29004	24	25 Stück
SPLIT NBR-PG29	PG29005	23	25 Stück
SPLIT NBR-PG29	PG29006	22	25 Stück
SPLIT NBR-PG29	PG29007	21	25 Stück
SPLIT NBR-PG36	PG360003	32	25 Stück
SPLIT NBR-PG36	PG36004	31	25 Stück
SPLIT NBR-PG36	PG36005	30	25 Stück
SPLIT NBR-PG36	PG36006	29	25 Stück
SPLIT NBR-PG36	PG36007	28	25 Stück
SPLIT NBR-PG42	PG420003	37	25 Stück
SPLIT NBR-PG42	PG42004	36	25 Stück
SPLIT NBR-PG42	PG42005	35	25 Stück
SPLIT NBR-PG42	PG42006	34	25 Stück
SPLIT NBR-PG42	PG42007	33	25 Stück
SPLIT NBR-PG48	PG480003	42	25 Stück
SPLIT NBR-PG48	PG48004	41	25 Stück
SPLIT NBR-PG48	PG48005	40	25 Stück
SPLIT NBR-PG48	PG48006	39	25 Stück
SPLIT NBR-PG48	PG48007	38	25 Stück

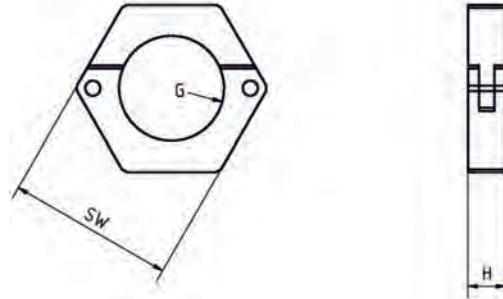
Sealings for smaller cable diameters are possible for every type of gland !

SPLIT- COUNTER NUT GM-M

contech3



Screw thread type metric
Screw connection type M16-M50, thread lead: 1,5
Special sizes on request !
Material brass, nickel plated



Type	Art.-No.	VE	SW (mm)	H (mm)
SPLIT GM-M16	M1602	10/25/50/100/300	24	5
SPLIT GM-M20	M2002	10/25/50/100/300	27	5
SPLIT GM-M25	M2502	10/25/50/100/300	32	5
SPLIT GM-M32	M3202	10/25/50/100/300	38	6
SPLIT GM-M40	M4002	10/25/50/100/300	50	8
SPLIT GM-M50	M5002	10/25/50/100/300	60	8

Scope of delivery: Split-Counter-Nut

SPLIT- COUNTER NUT GM-PG

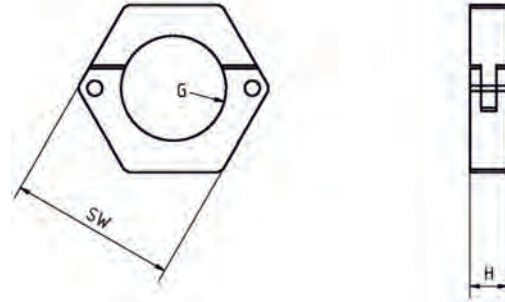
contech3



Screw thread type PG-Gewinde

Screw connection type PG 9 - PG 48
 PG9-PG16: thread lead 1,41
 PG21-PG48: thread lead 1,558
 Special sizes on request !

Material brass, nickel plated



Type	Art.-No.	VE	SW (mm)	H (mm)
SPLIT GM-PG9	PG09002	10/25/50/100/300	22	5
SPLIT GM-PG11	PG11002	10/25/50/100/300	25	5
SPLIT GM-PG13,5	PG13502	10/25/50/100/300	27	5
SPLIT GM-PG16	PG16002	10/25/50/100/300	28	5
SPLIT GM-PG21	PG21002	10/25/50/100/300	34	5
SPLIT GM-PG29	PG29002	10/25/50/100/300	46	6
SPLIT GM-PG36	PG36002	50/100/300	55	8
SPLIT GM-PG42	PG42002	50/100/300	65	8
SPLIT GM-PG48	PG48002	50/100/300	70	8

Scope of delivery: Split-Counter-Nut

PIPE PLUG RVS 90

contech3



The RVS pipe plugs are used for road crossings and unused cable protection pipes to protect against sand.

The pre-punched sealing body can be used to protect pipes that are covered with cables from floating sand.

The high-quality molded parts fit into all common pipes with an inner diameter of 85-100mm:

They can be assembled quickly and easily and make unsafe makeshift solutions superfluous.

No tools are required for removal for later reuse.



Product in installed condition:



Type	Art.-No.	protection area mm	St./VE
RVS 90	S0.10	85 - 99	22

The pipe plugs are also available in other sizes!

SPLIT-PG / M-HAND THREADER

contech3



Material	Hardened Toolsteel
Equipment	Split hand threader for rethreading (cleaning) of PG screw thread and metric screw thread for insertion of the split screwed cable gland
Sizes	PG 9 - PG 48; M 16 - M50
Special feature	The Split hand threader encloses the cable leading through the drill hole. Therefore it is possible to cut without disconnecting the load source. The hand threader must only be used for approved machine oils for the insertion of the screw thread !

Type	Art.-No.	VE
SPLIT GS-PG9	PG09020	1
SPLIT GS-PG11	PG11020	1
SPLIT GS-PG13,5	PG13520	1
SPLIT GS-PG16	PG16020	1
SPLIT GS-PG21	PG21020	1
SPLIT GS-PG29	PG29020	1
SPLIT GS-PG36	PG36020	1
SPLIT GS-PG42	PG42020	1
SPLIT GS-PG48	PG48020	1

Type	Art.-No.	VE
SPLIT GS-M16	M16020	1
SPLIT GS-M20	M20020	1
SPLIT GS-M25	M25020	1
SPLIT GS-M32	M32020	1
SPLIT GS-M44	M40020	1
SPLIT GS-M50	M50020	1

Technical Data for Split Cable Glands

Normal sizes and thread types

Nominal size	outer diameter mm	lead	inner diameter mm	bore diameter mm
--------------	-------------------	------	-------------------	------------------

METRICAL THREAD

M12 x 1,5	12,0	1,5	10,6	12,3 - 0,2
M16 x 1,5	16,0	1,5	14,6	16,3 - 0,2
M20 x 1,5	20,0	1,5	18,6	20,3 - 0,2
M25 x 1,5	25,0	1,5	23,6	25,3 - 0,2
M32 x 1,5	32,0	1,5	30,6	32,3 - 0,2
M40 x 1,5	40,0	1,5	38,6	40,4 - 0,3
M50 x 1,5	50,0	1,5	48,6	50,4 - 0,3

Nominal size	outer diameter mm	lead	inner diameter mm	bore diameter mm
--------------	-------------------	------	-------------------	------------------

PG THREAD

PG 9	15,2	1,41	13,9	15,7 - 0,2
PG 11	18,6	1,41	17,3	19,0 - 0,2
PG 13,5	20,4	1,41	19,1	21,0 - 0,2
PG 16	22,5	1,41	21,2	23,0 - 0,2
PG 21	28,2	1,558	26,8	28,8 - 0,2
PG 29	37,0	1,558	35,5	37,5 - 0,3
PG 36	47,0	1,558	45,5	47,5 - 0,3
PG 42	54,0	1,558	52,5	54,5 - 0,3
PG 48	59,3	1,558	57,8	59,8 - 0,3

Schutzarten nach EN 60529 / DIN VDE 0470 T.1

Erste Kennziffer			Zweite Kennziffer Schutzgrade gegen Wasser								
			0	1	2	3	4	5	6	7	8
	Schutz gg. den Zugang zu gefährlichen Teilen (Berührungsschutz)	Schutz gg. feste Fremdkörper (Fremdkörperschutz)	Nicht geschützt	Geschützt gg. Tropfwasser	Geschützt gg. Tropfwasser, wenn das Gehäuse bis zu 15° geneigt ist	Geschützt gg. Sprühwasser, bis zu einem Winkel von 60°	Geschützt gg. Spritzwasser, aus jeder Richtung	Geschützt gg. Strahlwasser, aus jeder Richtung	Geschützt gg. starkes Strahlwasser, aus jeder Richtung	Geschützt gg. die Wirkungen beim zeitweiligen Untertauchen	Geschützt gg. die Wirkungen beim dauernden Untertauchen
0	Nicht geschützt	Schutz gg. feste Fremdkörper (Fremdkörperschutz)	IP00								
1	Geschützt gg. den Zugang zu gefährl. Teilen mit dem Handrücken	Geschützt gg. feste Fremdkörper > Ø 50mm	IP10	IP11	IP12						
2	Geschützt gg. den Zugang zu gefährl. Teilen mit einem Finger	Geschützt gg. feste Fremdkörper > Ø12,5mm	IP20	IP21	IP22	IP23					
3	Geschützt gg. den Zugang zu gefährl. Teilen mit einem Werkzeug > Ø2,5mm	Geschützt gg. feste Fremdkörper > Ø2,5mm	IP30	IP31	IP32	IP33	IP34				
4	Geschützt gg. den Zugang zu gefährl. Teilen mit einem Draht > Ø1mm	Geschützt gg. feste Fremdkörper > Ø1mm	IP40	IP41	IP42	IP43	IP44				
5	Geschützt gg. den Zugang zu gefährl. Teilen mit einem Draht > Ø1mm	Staubgeschützt	IP50				IP54	IP55	IP56		
6	Geschützt gg. den Zugang zu gefährl. Teilen mit einem Draht > Ø1mm	Staubdicht	IP60					IP65	IP66	IP67	IP68

Outer Diameter from cables

Outer Diameter are average sizes from different manufacturers and therefore without guarantee of correctness !

Number of conductors x Cross section (mm ²)	Outer diameter (mm) für cable types				
	NYM	NYY	NYCY / NYCWY	H 05 RR-F	H07 RN-F
2 x 1,5	9	11	12	9	10
2 x 2,5	10,5	13	14	12,5	11
3 x 1,5	10	11	13	9	10
3 x 2,5	11	13	14	10	12
3 x 4	12,5	15	15	---	14
3 x 6	14	16	16	---	16
3 x 10	17	19	18	---	23
3 x 16	20	21	21	---	25
4 x 1,5	10,5	13	13	9	11
4 x 2,5	12	14	15	11	13
4 x 4	14	16	16	---	15
4 x 6	15	17	18	---	17
4 x 10	18	20	20	---	23
4 x 16	22	23	23	---	27
4 x 25	27	27	28	---	32
4 x 35	30	30	29	---	36
4 x 50	---	35	34	---	42
4 x 70	---	40	37	---	47
4 x 95	---	45	42	---	53
4 x 120	---	50	46	---	---
5 x 1,5	11	13,5	15	11	15
5 x 2,5	13	15	17	13	17
5 x 4	15	16,5	18	---	18
5 x 6	17	19	20	---	20
5 x 10	20	21	---	---	30
5 x 16	24	23	---	35	---
8 x 1,5	---	15	---	---	---
10 x 1,5	---	18	---	---	---
16 x 1,5	---	20	---	---	---

Outer Diameter from cables

Outer Diameter are average sizes from different manufacturers and therefore without guarantee of correctness !

Number of conductors x Cross section (mm ²)	Outer diameter (mm) für cable types			
	J-2Y(ST)Y	JE-Y(ST)Y	JE-LiYCY	AJ-Y(St)YDY
2 x 2 x 0,6	5,6	---	---	---
4 x 2 x 0,6	7,3	---	---	---
6 x 2 x 0,6	7,7	---	---	---
10 x 2 x 0,6	9,0	---	---	---
20 x 2 x 0,6	12,8	---	---	---
30 x 2 x 0,6	14,3	---	---	---
50 x 2 x 0,6	18,0	---	---	---
60 x 2 x 0,6	19,4	---	---	---
100 x 2 x 0,6	24,5	---	---	---
200 x 2 x 0,6	34,0	---	---	---
2 x 2 x 0,8	---	6,5	---	---
4 x 2 x 0,8	---	8,5	---	---
8 x 2 x 0,8	---	11,0	---	---
12 x 2 x 0,8	---	13,0	---	---
16 x 2 x 0,8	---	14,5	---	---
2 x 2 x 0,5	---	---	7,5	---
4 x 2 x 0,5	---	---	10,0	---
8 x 2 x 0,5	---	---	13,0	---
12 x 2 x 0,5	---	---	15,0	---
16 x 2 x 0,5	---	---	17,0	---
20 x 2 x 0,5	---	---	19,0	---
24 x 2 x 0,5	---	---	20,5	---
32 x 2 x 0,5	---	---	23,0	---
40 x 2 x 0,5	---	---	25,0	---
2 x 2 x 0,8	---	---	---	12,5
4 x 2 x 0,8	---	---	---	15,0
8 x 2 x 0,8	---	---	---	17,5
12 x 2 x 0,8	---	---	---	18,5
16 x 2 x 0,8	---	---	---	21,0
20 x 2 x 0,8	---	---	---	22,5
32 x 2 x 0,8	---	---	---	26,5
40 x 2 x 0,8	---	---	---	28,5



contech3 GmbH
Special Technical Solutions Tailored to

Customer Needs

contech3 GmbH, a company with registered office in Metten, Bavaria, is an integrated manufacturer and technical distributor. contech3 offers a high quality product portfolio in the fields of tool manufacturing and special solutions (split screwed cable glands). Our portfolio is perfected by quick delivery times, technical know-how and experienced staff in the field of power plant engineering. contech3 also offers its customers special solutions tailored to their needs. Its trendsetting concepts, its wide range of services and its pioneering spirit have made contech3 an exceptional company in the industry. Professional and especially customized services for the customers in the fields of industry and power plant engineering are paramount for contech3.

contech3 GmbH

Postfach 1140
Ida-Eid-Straße 2a
D-94523 Metten

Tel. +49(0) 991-3616752
Fax +49(0) 991-4127200

info@contech3.eu
www.contech3.eu

Geschäftsführer:
Dipl.-Ing.(Fh) Jürgen Morawietz
Roland Schließleder
Rudolf Wolf

Bankverbindung
Sparkasse Deggendorf
BLZ 74150000
Konto 420047557
IBAN: DE9774150000042047557
BIC-Code: BYLA DE M1 DEG

USt.-ID-Nr. DE263638143

Sitz der Gesellschaft:
Metten, Registergericht
Deggendorf, HRB 3257