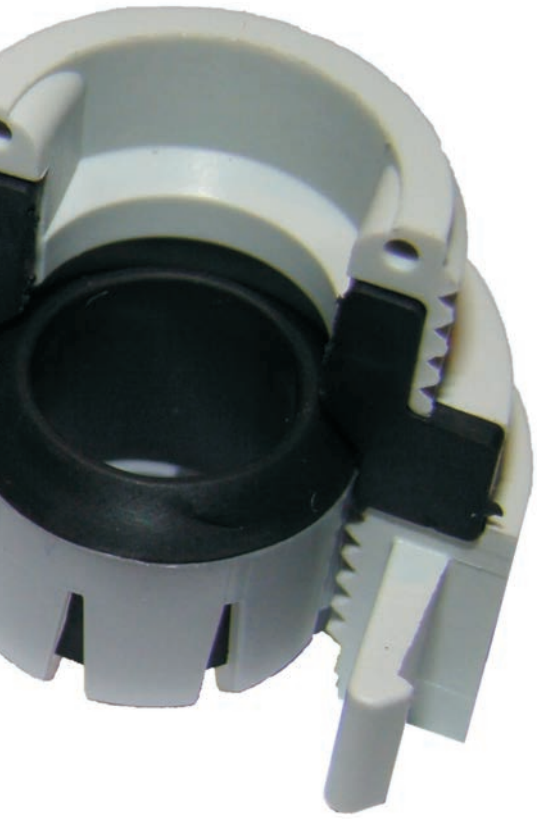


contech3



Split Screwed Cable Gland Splittable Products and Accessories

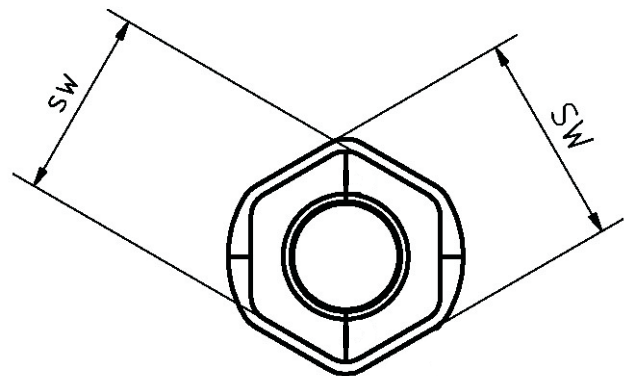
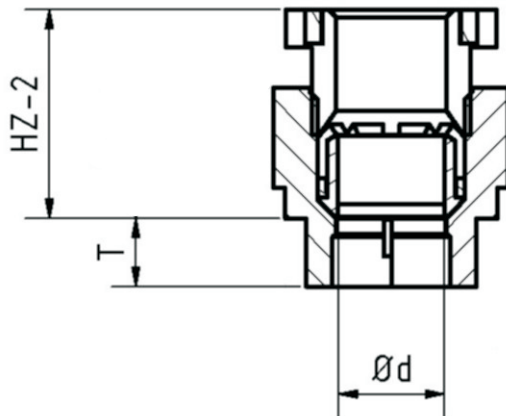
Product Overview



Synthetic Split Screwed Cable Gland

SPLIT-KS-PG / Split Screwed Cable Gland

Screw thread type	PG screw thread
Protection rating	IP 64 (according to DIN EN 60529)
Screw connection type	PG 11 - PG 16 PG 21 - PG 29 available upon request
Material	screw connection: Polyamide PA6 GF30 Sealing: SARLINK 3170 Claw: POM
Operating temperature	-30°C to +100°C
Color	other colors possible upon request

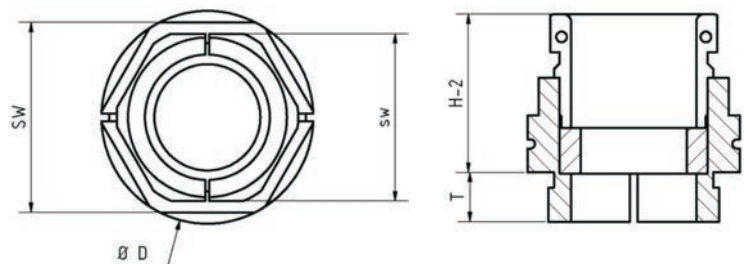


Type	Article No.	VE	SW (wrench size) (mm)	sw (wrench size) (mm)	Kabel ød (mm)	HZ-2 (mm)	T (mm)	
SPLIT KS-PG11	PG11040	10/25/50/100/300	24	20	8-10	-	8,00	
SPLIT KS-PG13,5	PG13540	10/25/50/100/300	26	23	10-12	-	9,00	
SPLIT KS-PG16	PG16040	10/25/50/100/300	28	25	12-14	-	9,00	
SPLIT KS-PG21	PG21040	available upon request						
SPLIT KS-PG29	PG29040							

Metal Screw Connections

SPLIT-MS-PG / MS-M / Split Screwed Cable Gland

Screw thread type	PG screw thread and metric screw thread
Protection rating	IP 65 (according to DIN EN 60529)
Screw connection type	PG9 - PG48 M16 - M50
Material	screw connection: brass, nickel plated Sealing: NBR 70
Operating temperature	-25°C to +80°C (up to 100°C for short periods)
Note	Also available with long thread



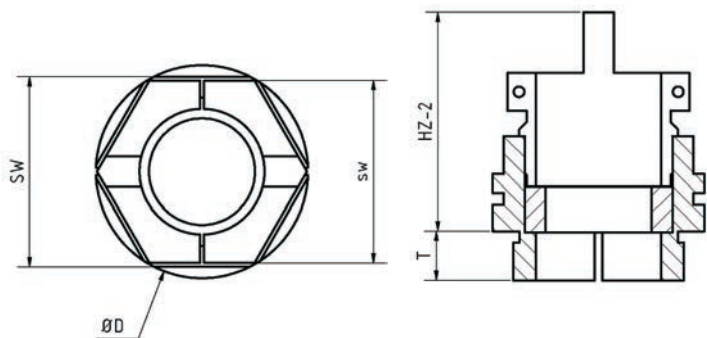
Type	Article No.	VE	SW (wrench size) (mm)	sw (wrench size) (mm)	cable ø (mm)	H-2 (mm)	T (mm)
SPLIT MS-PG9	PG09001	10/25/50/100/300	20	18	4-8	19,00	6,00
SPLIT MS-PG11	PG11001	10/25/50/100/300	22	18	6-10	20,00	6,00
SPLIT MS-PG13,5	PG13501	10/25/50/100/300	24	20	8-12	21,00	6,50
SPLIT MS-PG16	PG16001	10/25/50/100/300	25	22	10-14	21,00	6,50
SPLIT MS-PG21	PG21001	10/25/50/100/300	32	28	13-17	23,00	7,00
SPLIT MS-PG29	PG29001	10/25/50/100/300	40	34	22-26	26,00	8,00
SPLIT MS-PG36	PG36001	10/25/50/100/300	48	40	28-32	30,00	9,00
SPLIT MS-PG42	PG42001	10/25/50/100/300	55	50	33-37	33,00	10,00
SPLIT MS-PG48	PG48001	10/25/50/100/300	60	55	38-42	33,00	10,00

Type	Article No.	VE	SW (wrench size) (mm)	sw (wrench size) (mm)	cable ø (mm)	H-2 (mm)	T (mm)	
SPLIT MS-M16	M1601	10/25/50/100/300	20	16	5-8	21,00	6,50	
SPLIT MS-M20	M2001	10/25/50/100/300	24	20	8-12	21,00	6,50	
SPLIT MS-M25	M2501	10/25/50/100/300	27	23	12-16	23,00	6,50	
SPLIT MS-M32	M3201	10/25/50/100/300	34	30	17-23	23,00	7,00	
SPLIT MS-M40	M4001	10/25/50/100/300	available upon request					
SPLIT MS-M50	M5001	10/25/50/100/300						

Metal Screw Connections

SPLIT-MSZ-PG / MSZ-M / Split Screwed Cable Gland with Strain Relief

Screw thread type	PG screw thread and metric screw thread
Protection rating	IP 65 (according to DIN EN 60529)
Screw connection type	PG9 - PG48 M16 - M50
Material	screw connection: brass, nickel plated Sealing: NBR 70 operating temperature
Note	Also available with long thread



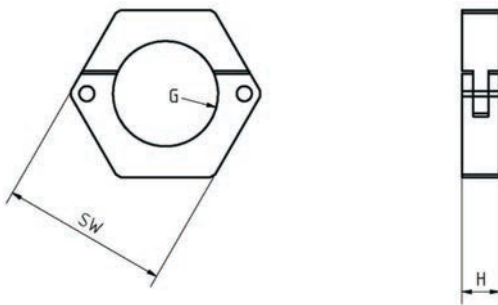
Type	Article No.	VE	SW (wrench size) (mm)	sw (wrench size) (mm)	Cable ø (mm)	H-2 (mm)	T (mm)
SPLIT MS-PGZ9	PG09030	10/25/50/100/300	20	18	4-8	24,50	6,00
SPLIT MS-PGZ11	PG11030	10/25/50/100/300	22	18	6-10	25,50	6,00
SPLIT MS-PGZ13,5	PG13530	10/25/50/100/300	24	24	8-12	28,50	6,50
SPLIT MS-PGZ16	PG16030	10/25/50/100/300	25	25	10-14	28,50	6,50
SPLIT MS-PGZ21	PG21030	10/25/50/100/300	32	28	13-17	32,50	7,00
SPLIT MS-PGZ29	PG29030	10/25/50/100/300	40	36	22-25	34,50	8,00
SPLIT MS-PGZ36	PG36030	10/25/50/100/300	58	43	28-32	40,00	9,00
SPLIT MS-PGZ42	PG42030	10/25/50/100/300	55	50	33-37	43,00	10,00
SPLIT MS-PGZ48	PG48030	10/25/50/100/300	60	55	38-42	43,00	10,00

Type	Art.-Nr.	VE	SW (wrench size) (mm)	sw (wrench size) (mm)	Kabel ø (mm)	H-2 (mm)	T (mm)	
SPLIT MSZ-M16	M1630	10/25/50/100/300	22	16	5-9	24,50	6,50	
SPLIT MSZ-M20	M2030	10/25/50/100/300	24	20	8-12	28,50	6,50	
SPLIT MSZ-M25	M2530	10/25/50/100/300	27	25	12-16	30,50	6,50	
SPLIT MSZ-M32	M3230	10/25/50/100/300	34	31	17-23	33,00	7,00	
SPLIT MSZ-M40	M4030	10/25/50/100/300	available upon request					
SPLIT MSZ-M50	M5030	10/25/50/100/300						

Metal Counter Nut

SPLIT-GM-PG / GM-M / Split Separable Counter Nut

Screw thread type	PG screw thread and metric screw thread
Screw connection type	PG9 - PG48 M16 - M50 Special sizes available upon request
Material	Brass, nickel plated other materials available upon request
Operating temperature	-25°C to +80°C (up to 100°C for short periods)



Type	Article No.	VE	SW (wrench size) (mm)	H (mm)
SPLIT GM-PG9	PG09002	10/25/50/100/300	22	5
SPLIT GM-PG11	PG11002	10/25/50/100/300	25	5
SPLIT GM-PG13,5	PG13502	10/25/50/100/300	27	5
SPLIT GM-PG16	PG16002	10/25/50/100/300	28	5
SPLIT GM-PG21	PG21002	10/25/50/100/300	34	5
SPLIT GM-PG29	PG29002	10/25/50/100/300	46	6
SPLIT GM-PG36	PG36002	10/25/50/100/300	55	8
SPLIT GM-PG42	PG42002	10/25/50/100/300	65	8
SPLIT GM-PG48	PG48002	10/25/50/100/300	70	8

Type	Article No.	VE	SW (wrench size) (mm)	H (mm)
SPLIT GM-M16	M1602	10/25/50/100/300	24	5
SPLIT GM-M20	M2002	10/25/50/100/300	27	5
SPLIT GM-M25	M2502	10/25/50/100/300	32	5
SPLIT GM-M32	M3202	10/25/50/100/300	38	6
SPLIT GM-M40	M4002	10/25/50/100/300	50	8
SPLIT GM-M50	M5002	10/25/50/100/300	60	8

Accessories

SPLIT-NBR PG / Split Separated Sealing Ring for Metal Screw Connections

Construction of sealing ring	NBR70
Properties	Single part for use with split screwed cable gland
Sizes	PG 9 - PG 48
Operating temperature	-25°C to +80°C (up to 100°C for short periods)



Type	Article No.	CableØ	VE	Type	Article No.	CableØ	VE
SPLIT NBR-PG9	PG09003	8	25 pieces	SPLIT NBR-PG29	PG29003	25	25 pieces
SPLIT NBR-PG9	PG09004	7	25 pieces	SPLIT NBR-PG29	PG29004	24	25 pieces
SPLIT NBR-PG9	PG09005	6	25 pieces	SPLIT NBR-PG29	PG29005	23	25 pieces
SPLIT NBR-PG9	PG09006	5	25 pieces	SPLIT NBR-PG29	PG29006	22	25 pieces
SPLIT NBR-PG9	PG09007	4	25 pieces	SPLIT NBR-PG29	PG29007	21	25 pieces
				SPLIT NBR-PG29	PG29008	20	25 pieces
SPLIT NBR-PG11	PG11003	10	25 pieces	SPLIT NBR-PG29	PG29009	19	25 pieces
SPLIT NBR-PG11	PG11004	9	25 pieces				
SPLIT NBR-PG11	PG11005	8	25 pieces	SPLIT NBR-PG36	PG36003	32	25 pieces
SPLIT NBR-PG11	PG11006	7	25 pieces	SPLIT NBR-PG36	PG36004	31	25 pieces
SPLIT NBR-PG11	PG11007	6	25 pieces	SPLIT NBR-PG36	PG36005	30	25 pieces
				SPLIT NBR-PG36	PG36006	29	25 pieces
SPLIT NBR-PG13,5	PG13503	12	25 pieces	SPLIT NBR-PG36	PG36007	28	25 pieces
SPLIT NBR-PG13,5	PG13504	11	25 pieces	SPLIT NBR-PG36	PG36008	27	25 pieces
SPLIT NBR-PG13,5	PG13505	10	25 pieces	SPLIT NBR-PG36	PG36009	26	25 pieces
SPLIT NBR-PG13,5	PG13506	9	25 pieces				
SPLIT NBR-PG13,5	PG13507	8	25 pieces	SPLIT NBR-PG42	PG42003	37	25 pieces
				SPLIT NBR-PG42	PG42004	36	25 pieces
SPLIT NBR-PG16	PG16003	14	25 pieces	SPLIT NBR-PG42	PG42005	35	25 pieces
SPLIT NBR-PG16	PG16004	13	25 pieces	SPLIT NBR-PG42	PG42006	34	25 pieces
SPLIT NBR-PG16	PG16005	12	25 pieces	SPLIT NBR-PG42	PG42007	33	25 pieces
SPLIT NBR-PG16	PG16006	11	25 pieces				
SPLIT NBR-PG16	PG16007	10	25 pieces	SPLIT NBR-PG48	PG48003	42	25 pieces
				SPLIT NBR-PG48	PG48004	41	25 pieces
SPLIT NBR-PG21	PG21003	18	25 pieces	SPLIT NBR-PG48	PG48005	40	25 pieces
SPLIT NBR-PG21	PG21004	17	25 pieces	SPLIT NBR-PG48	PG48006	39	25 pieces
SPLIT NBR-PG21	PG21005	16	25 pieces	SPLIT NBR-PG48	PG48007	38	25 pieces
SPLIT NBR-PG21	PG21006	15	25 pieces				
SPLIT NBR-PG21	PG21007	14	25 pieces				

Accessories

SPLIT-NBR PG / Split Separated Sealing Ring for Metal Screw Connections

Construction of sealing ring	NBR70
Properties	Single part for use with split screwed cable gland
Sizes	PG 9 - PG 48
Operating temperature	-25°C to +80°C (up to 100°C for short periods)



Type	Article No.	CableØ	VE	Type	Article No.	CableØ	VE
SPLIT NBR-M16	M16003	9	25 pieces	SPLIT NBR-M32	M32003	23	25 pieces
SPLIT NBR-M16	M16004	8	25 pieces	SPLIT NBR-M32	M32004	22	25 pieces
SPLIT NBR-M16	M16005	7	25 pieces	SPLIT NBR-M32	M32005	21	25 pieces
SPLIT NBR-M16	M16006	6	25 pieces	SPLIT NBR-M32	M32006	20	25 pieces
SPLIT NBR-M16	M16007	5	25 pieces	SPLIT NBR-M32	M32007	19	25 pieces
				SPLIT NBR-M32	M32008	18	25 pieces
SPLIT NBR-M20	M20003	12	25 pieces	SPLIT NBR-M32	M32009	17	25 pieces
SPLIT NBR-M20	M20004	11	25 pieces				
SPLIT NBR-M20	M20005	10	25 pieces	SPLIT NBR-M40	M40003	27	25 pieces
SPLIT NBR-M20	M20006	9	25 pieces	SPLIT NBR-M40	M40004	26	25 pieces
SPLIT NBR-M20	M20007	8	25 pieces	SPLIT NBR-M40	M40005	25	25 pieces
				SPLIT NBR-M40	M40006	24	25 pieces
SPLIT NBR-M25	M25003	16	25 pieces				
SPLIT NBR-M25	M25004	15	25 pieces	SPLIT NBR-M50	M50003	32	25 pieces
SPLIT NBR-M25	M25005	14	25 pieces	SPLIT NBR-M50	M50004	31	25 pieces
SPLIT NBR-M25	M25006	13	25 pieces	SPLIT NBR-M50	M50005	30	25 pieces
SPLIT NBR-M25	M25007	12	25 pieces	SPLIT NBR-M50	M50006	29	25 pieces
				SPLIT NBR-M50	M50007	28	25 pieces

Accessories

SPLIT GS-PG / Split Hand Threader

Material	Hardened tool steel
Equipment	Split hand threader for rethreading (cleaning) of PG screw thread and metric screw thread for insertion of the split screwed cable gland
Sizes	PG 9 - PG 48 M 16 - M50
Special feature	The split hand threader encloses the cable leading through the drill hole. Therefore it is possible to cut without disconnecting the load source The hand threader must only be used with approved machine oils for the insertion of the screw thread



Type	Article No.	VE
SPLIT GS-PG9	PG09020	1
SPLIT GS-PG11	PG11020	1
SPLIT GS-PG13,5	PG13520	1
SPLIT GS-PG16	PG16020	1
SPLIT GS-PG21	PG21020	1
SPLIT GS-PG29	PG29020	1
SPLIT GS-PG36	PG36020	1
SPLIT GS-PG42	PG42020	1
SPLIT GS-PG48	PG48020	1

Type	Article No.	VE
SPLIT GS-M16	M16020	1
SPLIT GS-M20	M20020	1
SPLIT GS-M25	M25020	1
SPLIT GS-M32	M32020	1
SPLIT GS-M40	M40020	1
SPLIT GS-M50	M50020	1

Contact Protection

BSK1000 / Contact Protection Cap with Imprint

Material	Polyethylene (PE)
Properties	heat resistant from -85°C to +80°C high breaking elongation and toughness very good dielectric properties resistant against almost all polar solvents (acids, bases, water, alcohol, oil)



Article No.	No. of pieces
BSK1000.100	100
BSK1000.300	300
BSK1000.500	500
BSK1000.1000	1000

Contact Protection Cap with Imprint

Comb Rail

KAM1000 / Insulating Covering for Jumper Block

Technical data

Material	PA6 (Polyamide 6)
Properties	high stability, rigidity and toughness very good insulating properties
temperature resistant (PA 6):	for static strain: - 60° C / +120°C for dynamic strain: - 60°C / + 80°C
Chemical durability	against alcalic fluids, solutions of anorganic neutral salts, oils, fats, gasoline, benzol, alcohol, acetone, diluted acids and salt water



Comb Rail without Color Code

Article No.	No. of pieces
KAM1000.10	bis 10.000
KAM1000.25	bis 25.000
KAM1000.50	bis 50.000
KAM1000.75	bis 75.000
KAM1000.100	bis 100.000
KAM1000.150	bis 150.000

Comb Rail with Color Code Imprint

Article No.	No. of pieces
KAM1000.10F	bis 10.000
KAM1000.25F	bis 25.000
KAM1000.50F	bis 50.000
KAM1000.75F	bis 75.000
KAM1000.100F	bis 100.000
KAM1000.150F	bis 150.000

Threepart Comb Rail

Article No.	No. of pieces
KAM3-1000.250	300
KAM3-1000.500	500
KAM3-1000.1000	1000
KAM3-1000.2000	2000



contech3 GmbH Special Technical Solutions Tailored to Customer Needs

contech3 GmbH, a company with registered office in Metten, Bavaria, is an integrated manufacturer and technical distributor. contech^r offers a high quality product portfolio in the fields of tool manufacturing and special solutions (split screwed cable glands). Our portfolio is perfected by quick delivery times, technical know-how and experienced staff in the field of power plant engineering. contech^r also offers its customers special solutions tailored to their needs. Its trend-setting concepts, its wide range of services and its pioneering spirit have made contech3 an exceptional company in the industry. Professional and especially customized services for the customers in the fields of industry and power plant engineering are paramount for contech3.

contech3 GmbH

P.O. Box 1140
Bonhoefferstrasse 4
94523 Metten
Germany

Tel. +49(0) 991-9959030
Fax +49(0) 991-9959031
D2 +49(0) 1520-3849988

info@contech3.eu
www.contech3.eu

CEO:
Dipl.-Ing.(Fh) Jürgen Morawietz
Roland Schließleder
Rudolf Wolf

Bank Data
Sparkasse Deggendorf
BLZ 74150000
Account No. 420047557
IBAN: DE9774150000420047557
BIC-Code: BYLA DE M1 DEG

VAT No. DE263638143

Registered Office:
Metten, Registry Court
Deggendorf, HRB 3257